

APP CRS	Rwy Idg	1899
248°	TDZE	547
	Apt Elev	550

RNAV (GPS) RWY 25

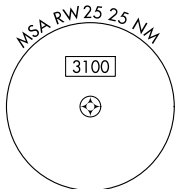
KELLER BROTHERS (Ø8N)

RNP APCH.

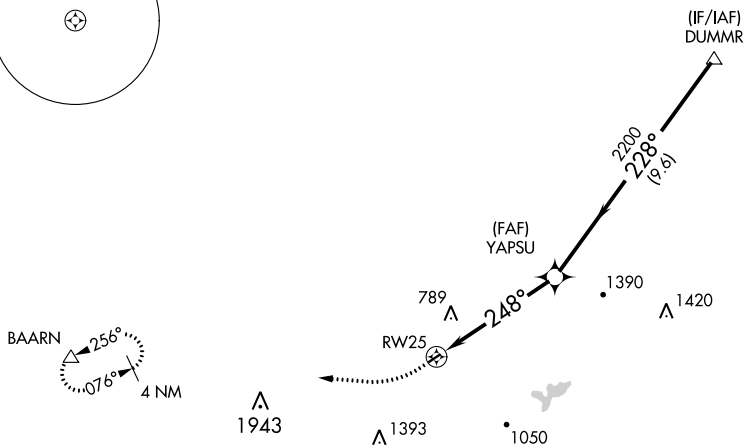
⚠ Procedure NA at night. Rwy 7 helicopter visibility reduction below 1 SM NA.
⚠NA Use Lancaster altimeter setting; when not received, use Reading altimeter setting and increase all MDA 40 feet.

MISSED APPROACH: Climbing right turn to 3000 direct BAARN and hold.

LNS ASOS 125.675	HARRISBURG APP CON 126.45 281.525	CTAF 122.9	121.9 ⓪
----------------------------	---	----------------------	-----------------------



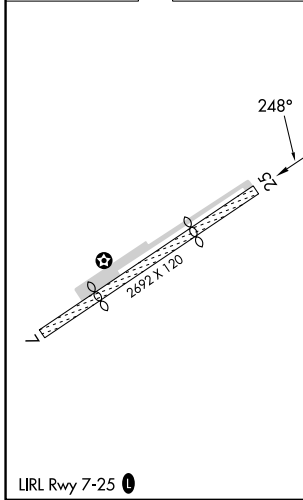
Procedure NA for arrivals at DUMMR on V93 northeast bound, V162 eastbound and V276 southeast bound.



NE-4, 22 FEB 2024 to 21 MAR 2024

NE-4, 22 FEB 2024 to 21 MAR 2024

ELEV 550	TDZE 547
----------	----------



Visual Segment - Obstacles.		DUMMR	
3000	BAARN	4000	
	△		
RWY 25		YAPSU	
248°		2200	228°
5.1 NM		9.6 NM	
CATEGORY	A	B	C
LNAV MDA	1320-1 773 (800-1)	1320-1¼ 773 (800-1¼)	NA
CIRCLING	1440-1¼ 890 (900-1¼)	1580-1½ 1030 (1100-1½)	NA