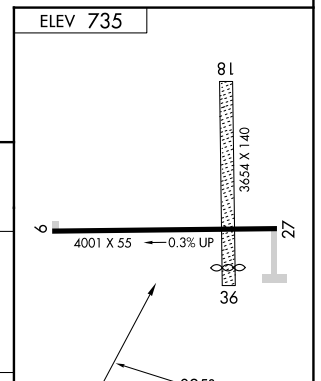
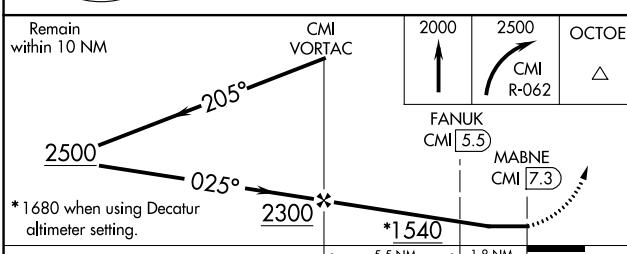
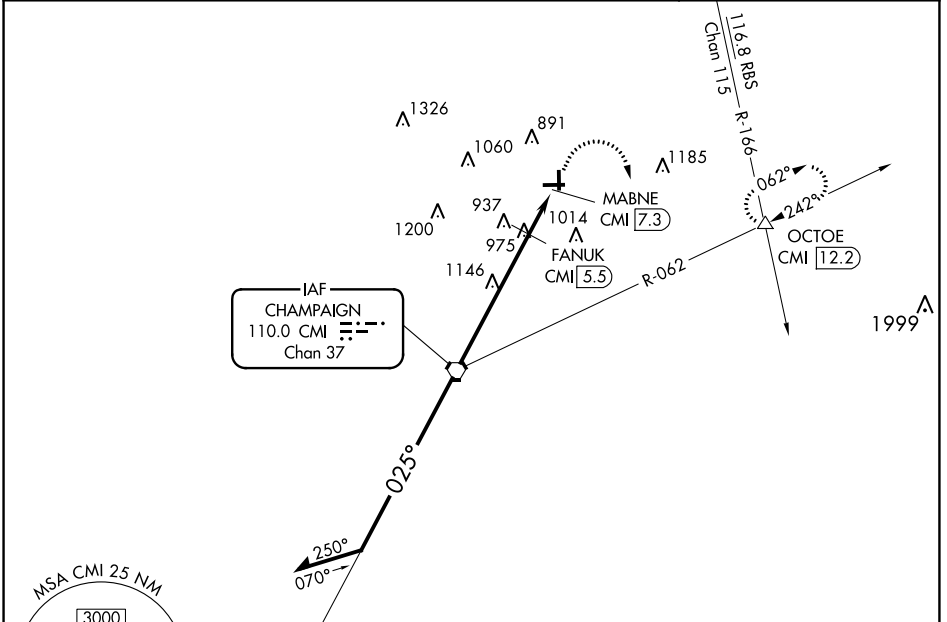


VORTAC CMI 110.0 Chan 37	APP CRS 025°	Rwy Idg TDZE Apt Elev N/A N/A 735
--	------------------------	---

VOR-A
FRASCA FLD (C16)

<p>NA Circling NA to Rwys 18 and 36. Use Champaign altimeter setting; when not received, use Decatur altimeter setting and increase all MDAs 80 feet and Cats A/B/D visibilities ¼ SM, Cat C visibility ½ SM; increase FANUK DME fix minimums Cats C/D visibility ½ SM.</p>	<p>MISSED APPROACH: Climb to 2000 then climbing right turn to 2500 on CMI VORTAC R-062 to OCTOE INT and hold.</p>
--	--

<p>CHAMPAIGN APP CON ★ 121.35 285.65</p>	<p>UNICOM 122.8 (CTAF)</p>
---	---------------------------------------



Remain within 10 NM	CMI VORTAC			
	2000	2500	OCTOE	
	2500	2300*	FANUK CMI 5.5	
		1540*	MABNE CMI 7.3	
			5.5 NM	1.8 NM
CATEGORY	A	B	C	D
CIRCLING	1540-1 805 (900-1)	1540-1¼ 805 (900-1¼)	1540-2¼ 805 (900-2¼)	1560-2¾ 825 (900-2¾)
FANUK DME FIX MINIMUMS				
CIRCLING	1300-1	565 (600-1)	1420-2 685 (700-2)	1560-2¾ 825 (900-2¾)

FAF to MAP 7.3 NM					
Knots	60	90	120	150	180
Min:Sec	7:18	4:52	3:39	2:55	2:26

EC-3, 22 FEB 2024 to 21 MAR 2024

EC-3, 22 FEB 2024 to 21 MAR 2024