

LOC/DME I-MAC 111.9 Chan 56	APP CRS 105°	Rwy Idg 4184 TDZE 430 Apt Elev 437
---	------------------------	---

LOC RWY 10

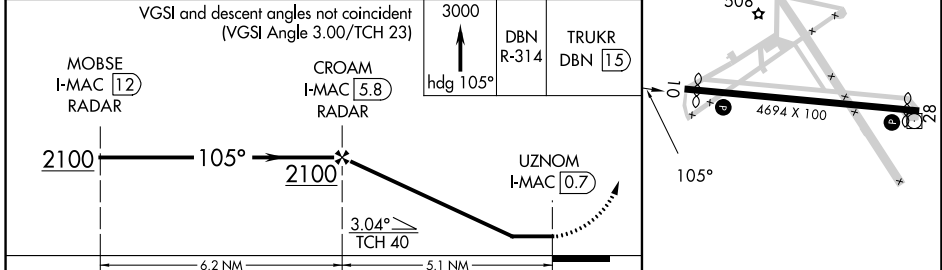
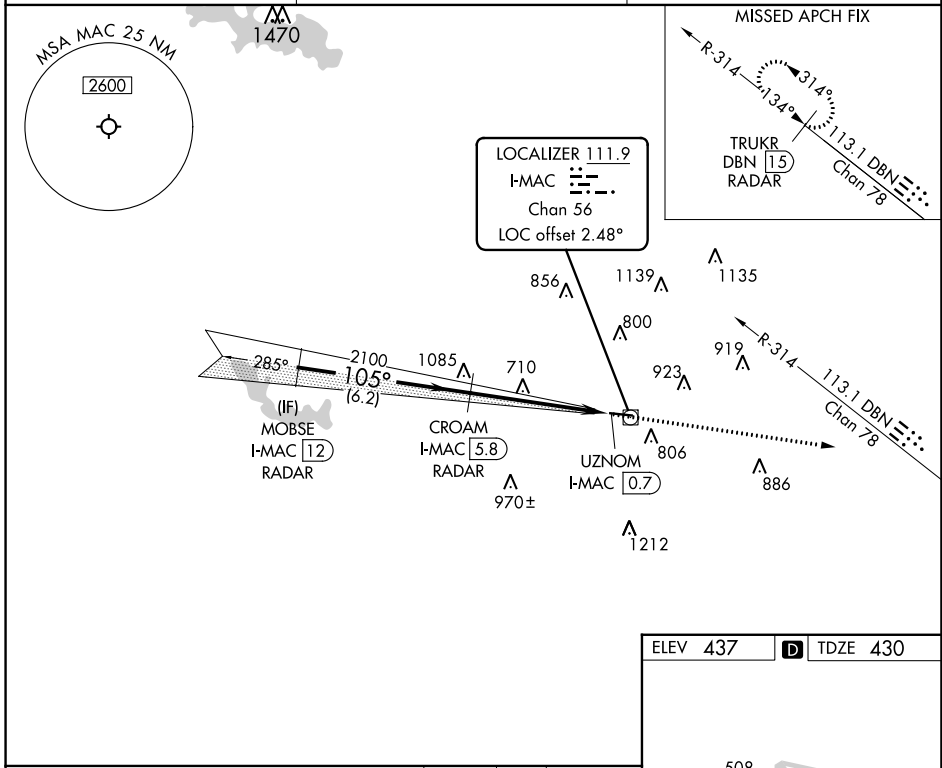
MACON DOWNTOWN (MAC)

RADAR required for procedure entry. DME or RADAR required.

⚠️ Rwy 10 helicopter visibility reduction below 3/4 SM NA. Use Middle Georgia Rgnl altimeter setting; when not received, use Robins AFB altimeter setting and increase all MDA 20 feet and S-LOC 10 visibility Cat C/D 1/2 SM.

MISSED APPROACH: Climb to 3000 on heading 105° and DBN VORTAC R-314 to TRUKR/DBN VORTAC 15 DME/ RADAR and hold.

MCN ASOS 120.775	ATLANTA APP CON ★ 124.2 279.6	UNICOM 123.0 (CTAF) 0
----------------------------	---	---------------------------------



CATEGORY	A	B	C	D
S-10	1060-1	630 (700-1)	1060-1 3/4	630 (700-1 3/4)
CIRCLING	1200-1	763 (800-1)	1320-2 3/4 883 (900-2 3/4)	1480-3 1043 (1100-3)

MIRL Rwy 10-28 0

SE-4, 22 FEB 2024 to 21 MAR 2024

SE-4, 22 FEB 2024 to 21 MAR 2024

WAAS CH 56421 W10A	APP CRS 102°	Rwy Idg TDZE 430 Apt Elev 437
--	------------------------	---

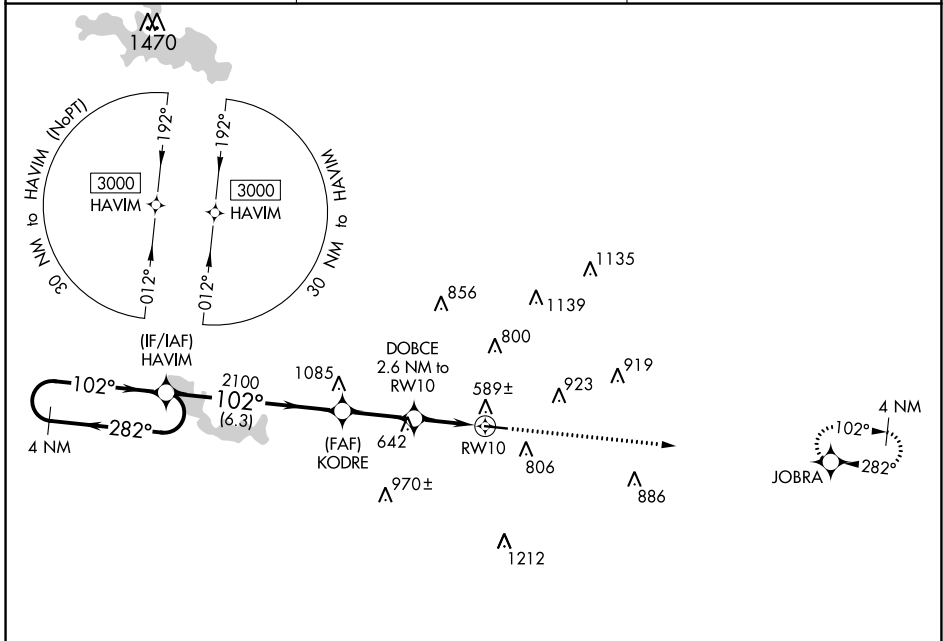
RNAV (GPS) RWY 10

MACON DOWNTOWN (MAC)

Baro-VNAV NA. DME/DME RNP-0.3 NA. Use Middle Georgia altimeter setting, when not received, use Robbins AFB altimeter setting and increase LPV DA to 726 feet, increase LNAV/VNAV DA to 833 feet and increase all MDA 20 feet.

MISSED APPROACH:
Climb to 3000 direct JOBRA and hold.

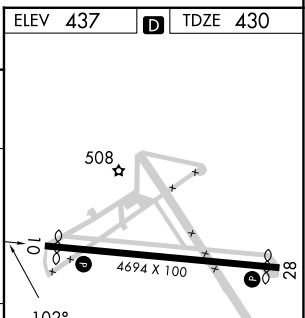
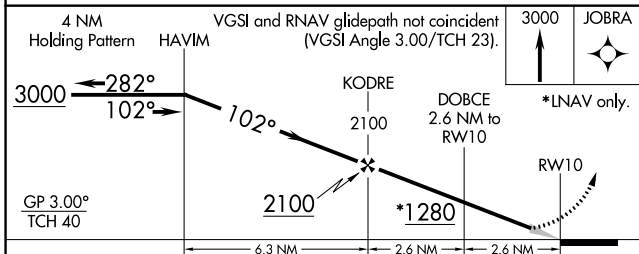
MCN ASOS 120.775	ATLANTA APP CON * 124.2 279.6	UNICOM 123.0 (CTAF) 0
----------------------------	---	---------------------------------



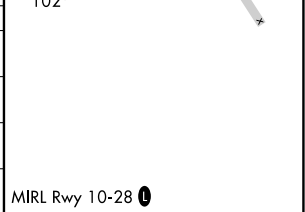
SE-4, 22 FEB 2024 to 21 MAR 2024

SE-4, 22 FEB 2024 to 21 MAR 2024

ELEV 437	D	TDZE 430
----------	----------	----------



CATEGORY	A	B	C	D
LPV DA	712-1		282 (300-1)	
LNAV/VNAV DA	819-1 $\frac{3}{8}$		389 (400-1 $\frac{3}{8}$)	
LNAV MDA	880-1	450 (500-1)	880-1 $\frac{3}{8}$	450 (500-1 $\frac{3}{8}$)
C CIRCLING	1200-1	763 (800-1)	1320-2 $\frac{3}{4}$ 883 (900-2 $\frac{3}{4}$)	1480-3 1043 (1100-3)



WAAS CH 86421 W28A	APP CRS 282°	Rwy Idg 4184 TDZE 430 Apt Elev 437
--	------------------------	---

RNAV (GPS) RWY 28

MACON DOWNTOWN (MAC)

RNP APCH-GPS.

⚠ Baro-VNAV NA. Rwy 28 helicopter visibility reduction below $\frac{3}{4}$ SM NA.
⚠ NA Use Middle Georgia altimeter setting, when not received, use Robbins AFB altimeter setting and increase LPV DA to 726 feet, increase LNAV/VNAV DA to 1063 feet and increase all MDAs 20 feet.

MISSED APPROACH: Climb to 3000 direct HAVIM and hold.

MCN ASOS

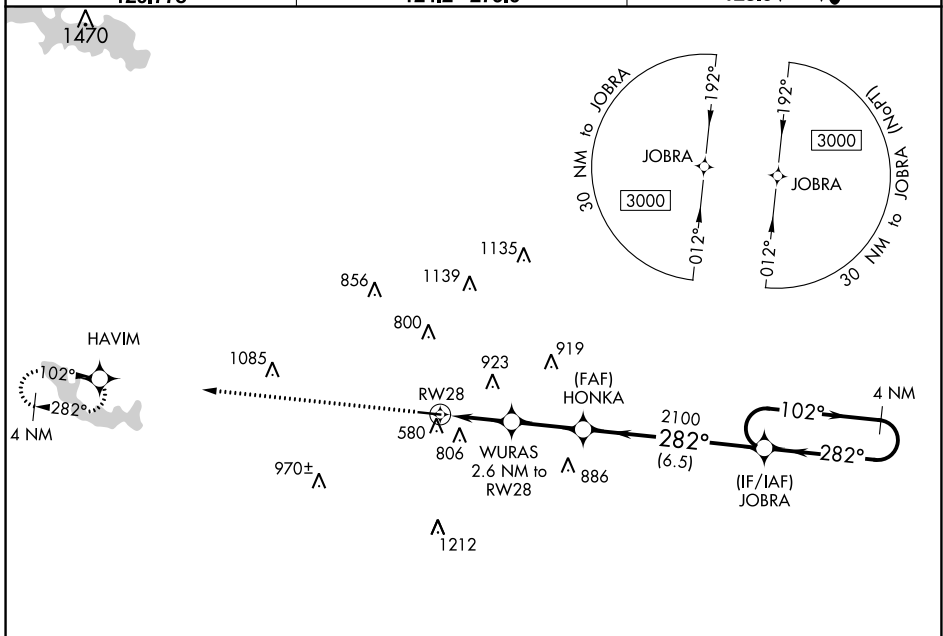
120.775

ATLANTA APP CON*

124.2 279.6

UNICOM

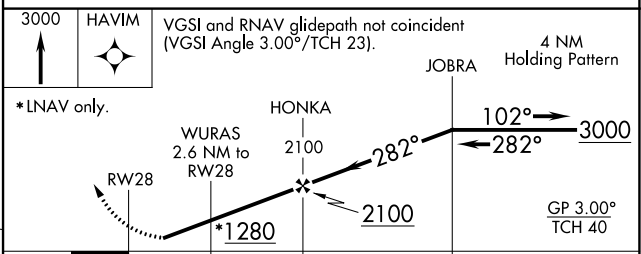
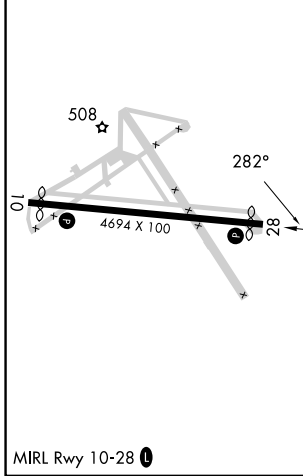
123.0 (CTAF) **U**



SE-4, 22 FEB 2024 to 21 MAR 2024

SE-4, 22 FEB 2024 to 21 MAR 2024

ELEV 437	D	TDZE 430
-----------------	----------	-----------------



CATEGORY	A	B	C	D
LPV DA		712-1	282 (300-1)	
LNAV/VNAV DA		1049-2½	619 (700-2½)	
LNAV MDA	980-1	550 (600-1)	980-1½	550 (600-1½)
C CIRCLING	1200-1	763 (800-1)	1320-2¾ 883 (900-2¾)	1480-3 1043 (1100-3)