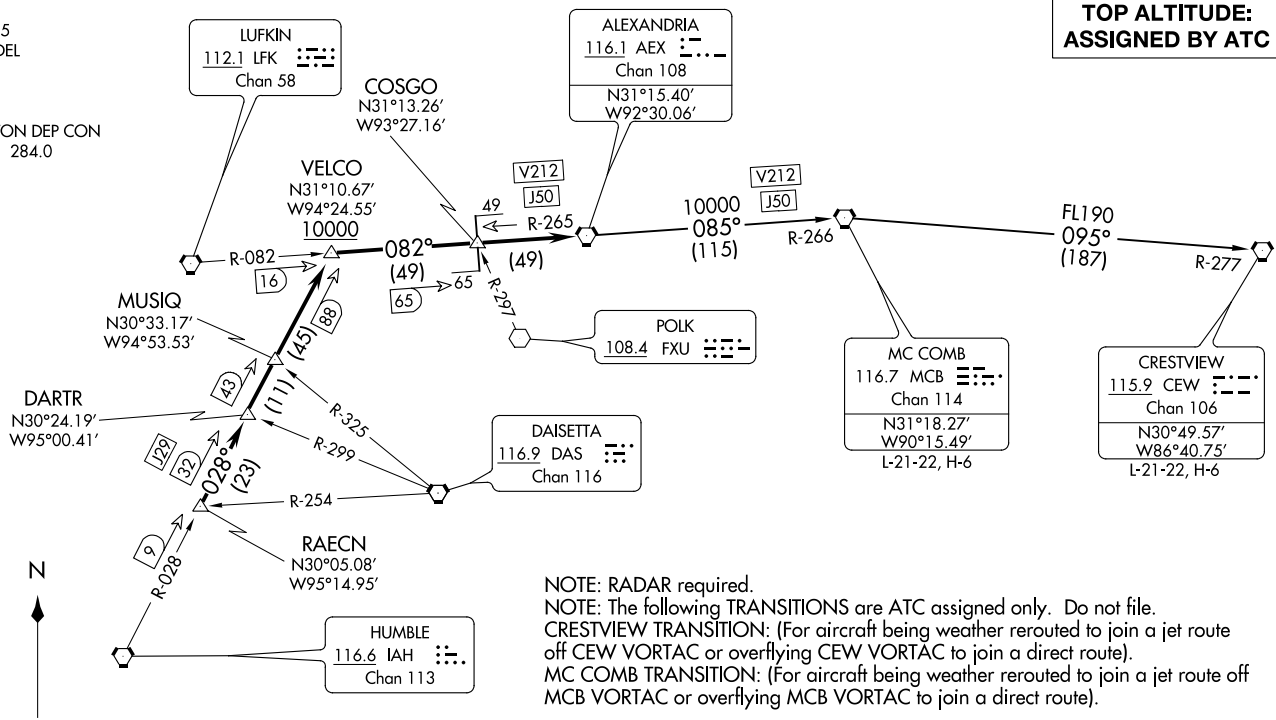


ALEXANDRIA THREE DEPARTURE  
(AEX3.AEX) 07OCT21  
ANGLETON/LAKE JACKSON, TEXAS  
TEXAS GULF COAST RGNL (LJBX)

ASOS  
119.925  
CLNC DEL  
125.2  
CTAF  
123.0  
HOUSTON DEP CON  
134.45 284.0



**TOP ALTITUDE:  
ASSIGNED BY ATC**

TAKEOFF MINIMUMS  
Rwys 17, 35: Standard.

NOTE: RADAR required.  
NOTE: The following TRANSITIONS are ATC assigned only. Do not file.  
CRESTVIEW TRANSITION: (For aircraft being weather rerouted to join a jet route off CEW VORTAC or overflying CEW VORTAC to join a direct route).  
MC COMB TRANSITION: (For aircraft being weather rerouted to join a jet route off MCB VORTAC or overflying MCB VORTAC to join a direct route).

NOTE: Chart not to scale.

(NARRATIVE ON FOLLOWING PAGE)

(AEX3.AEX) 21280  
ALEXANDRIA THREE DEPARTURE  
AL-4453 (FAA)  
TEXAS GULF COAST RGNL (LJBX)  
ANGLETON/LAKE JACKSON, TEXAS

# ALEXANDRIA THREE DEPARTURE



## DEPARTURE ROUTE DESCRIPTION

TAKEOFF ALL RUNWAYS: When entering controlled airspace, climb on assigned heading for RADAR vectors to RAECN INT. Maintain ATC assigned altitude. Expect filed altitude 10 minutes after departure, thence. . . .

. . . .on IAH R-028 to VELCO INT, cross VELCO INT at or above 10000, then right turn on LFK R-082 and AEX R-265 to AEX VORTAC.

CRESTVIEW TRANSITION (AEX3.CEW): From over AEX VORTAC on AEX R-085 and MCB R-266 to MCB VORTAC, then on MCB R-095 and CEW R-277 to CEW VORTAC.

MC COMB TRANSITION (AEX3.MCB): From over AEX VORTAC on AEX R-085 and MCB R-266 to MCB VORTAC.

SC-5, 22 FEB 2024 to 21 MAR 2024

SC-5, 22 FEB 2024 to 21 MAR 2024