

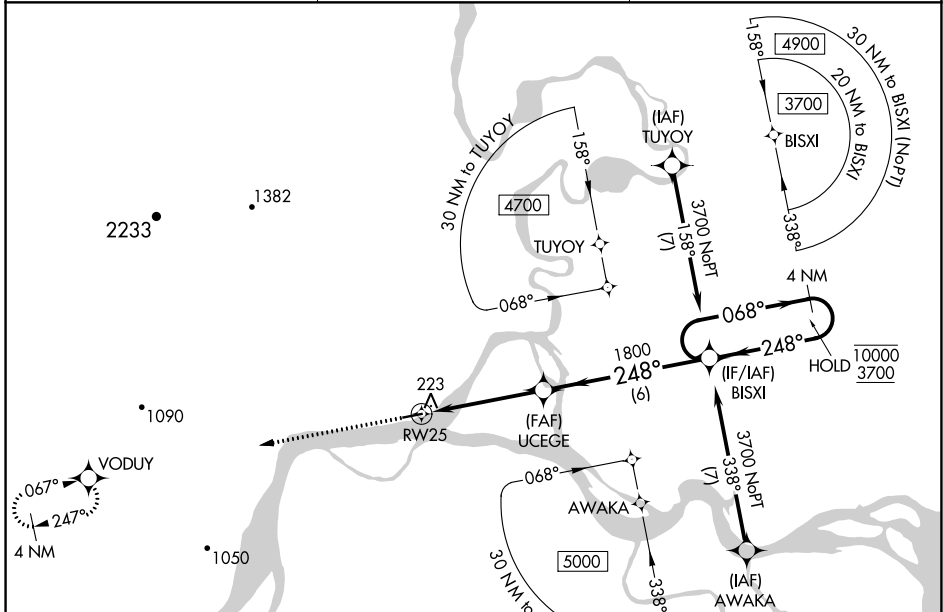
WAAS CH 99314 W25A	APP CRS 248°	Rwy Idg TDZE Apt Elev	4000 149 149
--	------------------------	-----------------------------	---

RNAV (GPS) RWY 25

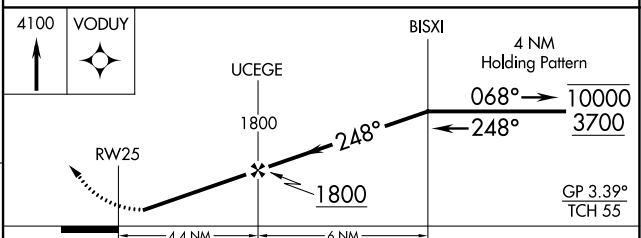
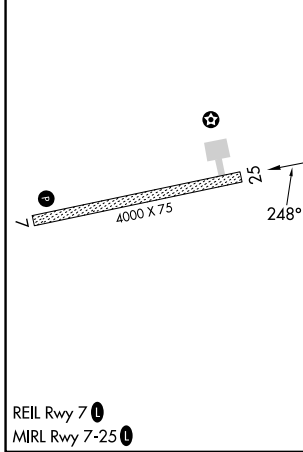
KOYUKUK (KYU) (PFKU)

RNP APCH-GPS.	<p>▼ Rwy 25 helicopter visibility reduction below 1 SM NA. Baro-VNAV NA.</p> <p>▲ NA Use Galena altimeter setting; when not received, procedure NA. Straight-in Rwy 25 NA at night, Circling Rwy 25 NA at night.</p> <p>☼ -48°C</p>	<p>MISSED APPROACH: Climb to 4100 direct VODUY and hold, continue climb-in-hold to 4100.</p>
---------------	---	--

GAL/PAGA AWOS-3P 132.525	ANCHORAGE CENTER 127.0 290.2	CTAF 122.9
------------------------------------	--	----------------------



ELEV 149	TDZE 149
----------	----------



CATEGORY	A	B	C	D
LPV DA		471-1 322 (400-1)		NA
LNAV/VNAV DA		471-1 322 (400-1)		NA
LNAV MDA	720-1	571 (600-1)	720-1½ 571 (600-1½)	NA
CIRCLING	720-1 571 (600-1)	900-1 751 (800-1)	1320-3 1171 (1200-3)	NA

AK, 25 JAN 2024 to 21 MAR 2024

AK, 25 JAN 2024 to 21 MAR 2024

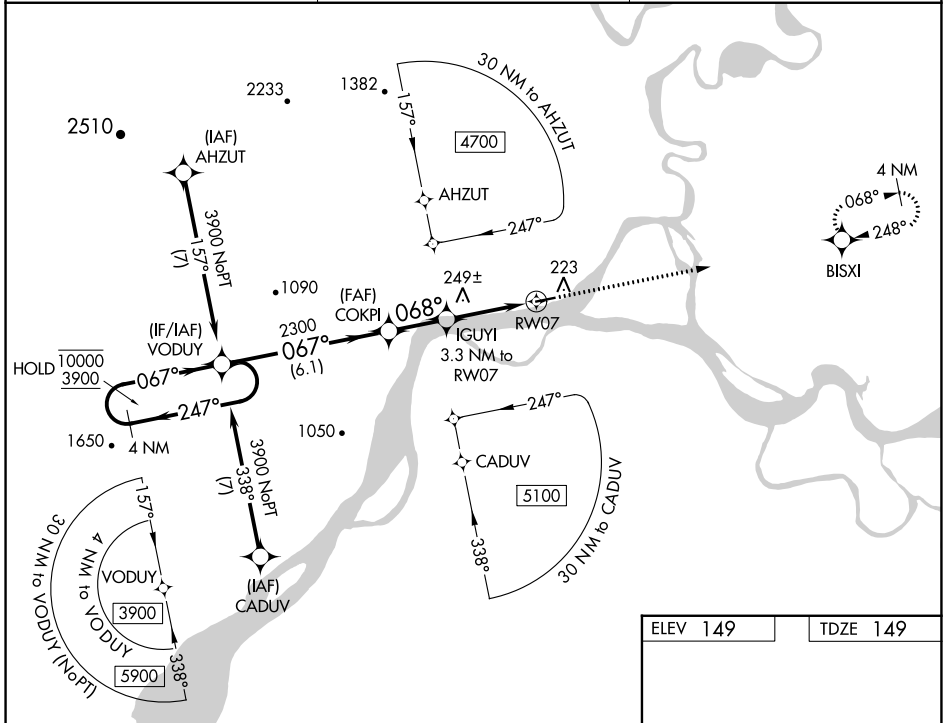
WAAS CH 42714 W07A	APP CRS 068°	Rwy Idg TDZE Apt Elev	4000 149 149
--	------------------------	-----------------------------	---

RNAV (GPS) RWY 7

KOYUKUK (KYU) (PFKU)

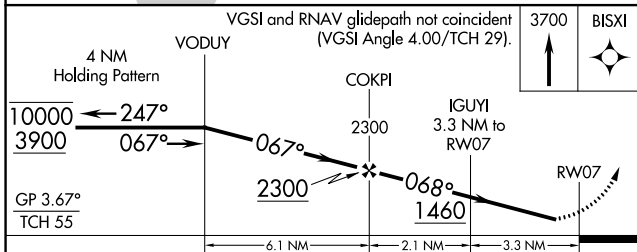
RNP APCH-GPS.	<p>▼ Circling Rwy 25 NA at night. Rwy 7 helicopter visibility reduction below 3/4 SM NA. Use Galena altimeter setting; when not received, procedure NA.</p> <p>▲ NA</p> <p>❄ -48°C</p>	<p>MISSED APPROACH: Climb to 3700 direct BISXI and hold, continue climb-in-hold to 3700.</p>

GAL/PAGA AWOS-3P 132.525	ANCHORAGE CENTER 127.0 290.2	CTAF 122.9 0
------------------------------------	--	------------------------

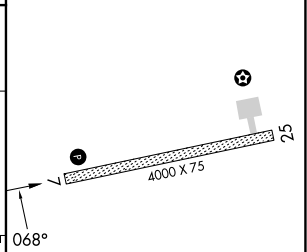


AK, 25 JAN 2024 to 21 MAR 2024

AK, 25 JAN 2024 to 21 MAR 2024



ELEV 149	TDZE 149
----------	----------



CATEGORY	A	B	C	D
LPV DA	520-1 371 (400-1)			NA
LNAV MDA	720-1 571 (600-1)	720-1 5/8 571 (600-1 5/8)		NA
CIRCLING	720-1 571 (600-1)	900-1 751 (800-1)	1320-3 1171 (1200-3)	NA

REIL Rwy 7 0
MIRL Rwy 7-25 0