

# ELLENSBURG FOUR ARRIVAL (RNAV)

NW-1, 22 FEB 2024 to 21 MAR 2024

RNAV 1- DME/DME/IRU or GPS.

RADAR required.

- D-ATIS 135.825 270.1
- SEATTLE APP CON 126.5 377.15
- MCCHORD TOWER 124.8 259.3
- GND CON 118.175 279.65

## ARRIVAL ROUTE DESCRIPTION

### ELLENSBURG TRANSITION (ELN.ELN4)

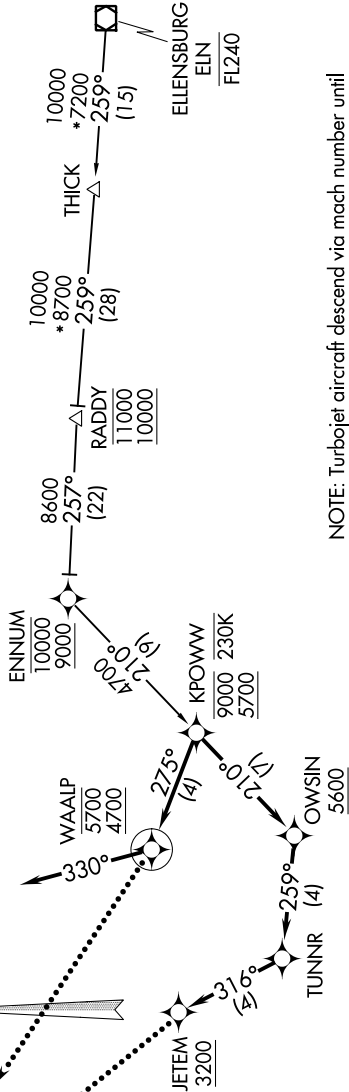
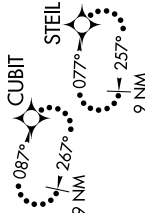
**LANDING RUNWAY 16:** From KPOWW on track 275° to cross WAALP between 4700 and 5700, then on heading 330° or as assigned by ATC. Expect RADAR vectors to final approach course.

**LANDING RUNWAY 34:** From KPOWW on track 210° to cross OWSIN at or above 5600, then on track 259° to TUNNR, then on track 316° to cross JETEM at or above 3200. Expect ILS or visual approach.

### LOST COMMUNICATIONS

**RUNWAY 16:** At WAALP, proceed direct STEIL and execute approach, if unable hold as published, maintain 4000, squawk appropriate beacon code.

**RUNWAY 34:** At JETEM, execute approach, if unable, proceed direct CUBIT and hold as published, maintain 4000, squawk appropriate beacon code.



NOTE: Turbojet aircraft descend via mach number until intercepting 280K, maintain 280K until 10000.

# ELLENSBURG FOUR ARRIVAL (RNAV)

NOTE: Chart not to scale.

NW-1, 22 FEB 2024 to 21 MAR 2024